

## Stoll **CASE** loader ready liftarm reference

STOLL LIFTARM CASE RED	LIFTARM WIDTH	CASE ORDER CODE	TRACTOR RANGE /MODEL
FS 10.1	Wide	LRZ95.1NSL	Option Farmall C HD
FZ 10.1	Wide	LRZ95.1SL	Option Farmall C HD
FS 20	Narrow	LRZ100NSL	Maxxum 4cyl Tier 3
FZ 20	Narrow	LRZ100SL	Maxxum 4cyl Tier 3
FS 20.1	Wide	LRZ100.1NSL	Farmall C HD
FZ 20.1	Wide	LRZ100.1SL	Farmall C HD
FS 40	Narrow	LRZ130NSL	Maxxum 6cyl Tier 3
FZ 45	Narrow	LRZ130SL	Maxxum 6cyl Tier 3
FS 40.1	Wide	LRZ130.1NSL	Maxxum AD8
FZ 45.1	Wide	LRZ130.1SL	Maxxum AD8
FS 40.1-02	Wide	LRZ130.1-02NSL	Option Puma SWB
FZ 45.1-02	Wide	LRZ130.1-02SL	Option Puma SWB
FZ 50.1	Wide	LRZ150.1SL	Puma SWB
FZ 60.1	Wide	LRZ160.1SL	Option Puma SWB

### • STOLL ACCESSORIES

STOCK CODE	DESCRIPTION
AGH-300	Joystick Upgrade c/w Transmission Switches -Maxxum Tier 3
3466040	Comfort Drive Suspension LRZ95/LRZ100
3466050	Comfort Drive Suspension LRZ130/LRZ150
3466060	Comfort Drive Suspension LRZ160

### • STOLL EARTH BUCKETS

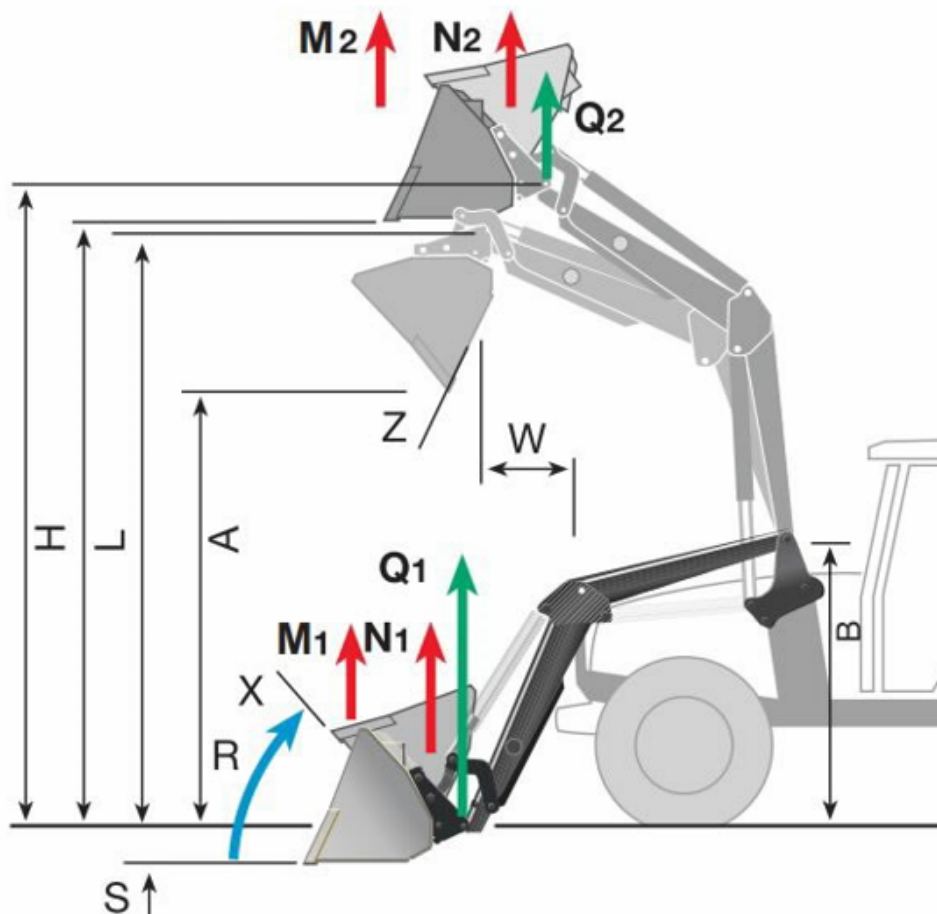
STOCK CODE	DESCRIPTION
3428200	ROBUST 1.7
3428280	ROBUST 1.9
3428290	ROBUST 2.05
3428300	ROBUST 2.2
3428310	ROBUST 2.4

## SPECIFICATIONS

### STOLL PROFILINE FS/FZ

**FS = Non Self level, FZ = Self Level**

	FS8	FZ8	FS10 FS10.1	FZ10 FZ10.1	FS20 FS20.1	FZ20 FZ20.1	FS40 FS40.1	FZ45 FZ45.1	FZ50 FZ50.1	FZ60.1	FZ80.1
<b>Q1</b>	1960	1960	2020	2020	2490	2490	2590	2590	2750	2880	3020
<b>Q2</b>	1510	1510	1510	1510	1860	1860	1990	1990	2240	2470	2590
<b>N1</b>	1650	1960	1720	2020	2130	2490	2240	2590	2750	2880	3020
<b>N2</b>	1250	1510	1260	1510	1560	1860	1690	1990	2240	2470	2590
<b>M1</b>	1250	1960	1330	2020	1640	2490	1770	2590	2750	2880	3020
<b>M2</b>	930	1510	960	1510	1180	1860	1300	1990	2240	2470	2590
<b>H</b>	3.45m	3.45m	3.74m	3.74m	3.74m	3.74m	4.07m	4.07m	4.26m	4.46m	4.76m
<b>L</b>	3.24m	3.24m	3.53m	3.53m	3.53m	3.53m	3.86m	3.86m	4.05m	4.25m	4.55m
<b>A</b>	2.38m	2.38m	2.69m	2.69m	2.69m	2.69m	3.01m	3.01m	3.21m	3.41m	3.70m



## Stoll **CASE** loader ready liftarm reference

STOLL LIFTARM CASE RED	LIFTARM WIDTH	CASE ORDER CODE	TRACTOR RANGE /MODEL
FZ 39-23.1	Wide	LRZ95.1NGSL	Option Farmall C HD
FS 39-27	Narrow	LRZ100NGNSL	Maxxum 4cyl Tier 3
FZ 39-27	Narrow	LRZ100NGSL	Maxxum 4cyl Tier 3
FS39-27.1	Wide	LRZ100.1NGNSL	Farmall C HD
FZ39-27.1	Wide	LRZ100.1NGSL	Farmall C HD
FS41-33	Narrow	LRZ140NGNSL	Maxxum 6cyl Tier 3
FZ41-29	Narrow	LRZ140NGSL	Maxxum 6cyl Tier 3
FS41-33.1	Wide	LRZ140.1NGNSL	Maxxum AD8
FZ41-29.1	Wide	LRZ140.1NGSL	Maxxum AD8
FS43-34.1	Wide	LRZ160.1NGNSL	Puma SWB
FZ43-34.1	Wide	LRZ160.1NGSL	Puma SWB
FZ46-33.1	Wide	LRZ170.1NGSL	Option Puma SWB

### • STOLL ACCESSORIES

STOCK CODE	DESCRIPTION
AGH-300	Joystick Upgrade c/w Transmission Switches -Maxxum Tier 3
3744090	Comfort Drive Suspension Series 36/39 Narrow
3744100	Comfort Drive Suspension Series 36/39 Wide
3744110	Comfort Drive Suspension Series 41/43 Narrow
3744120	Comfort Drive Suspension Series 41/43 Wide
3744130	Comfort Drive Suspension Series 46/48

### • STOLL EARTH BUCKETS

STOCK CODE	DESCRIPTION
3428200	ROBUST 1.7
3428280	ROBUST 1.9
3428290	ROBUST 2.05
3428300	ROBUST 2.2
3428310	ROBUST 2.4



## SPECIFICATIONS

### STOLL PROFILINE NEXT GENERATION FS/FZ

**FS = Non Self level, FZ = Self Level**

	FS36-24 FS36-24.1	FZ36-24 FZ36-24.1	FZ39-23 FZ39-23.1	FS39-27 FS39-27.1	FZ39-27 FZ39-27.1	FS41-33 FS41-33.1	FZ41-29 FZ41-29.1	FS43-34 FS43-34.1	FZ43-34 FZ43-34.1	FZ46-33.1	FZ48-42.1
<b>Q1</b>	2370	2370	2300	2670	2670	3280	2880	3420	3420	3320	4150
<b>Q2</b>	1750	1750	1550	1800	1800	2200	1930	2200	2200	2590	2790
<b>N1</b>	2020	2370	2300	2300	2670	2840	2880	3000	3420	3320	4150
<b>N2</b>	1470	1750	1550	1500	1800	1870	1930	2080	2200	2590	2790
<b>M1</b>	1620	2370	2300	1860	2670	2320	2880	2480	3420	3320	4150
<b>M2</b>	1150	1750	1550	1180	1800	1490	1930	1640	2200	2590	2790
<b>H</b>	3.55m	3.55m	3.85m	3.85m	3.85m	4.10m	4.10m	4.32m	4.32m	4.55m	4.80m
<b>L</b>	3.34m	3.34m	3.64m	3.64m	3.64m	3.89m	3.89m	4.11m	4.11m	4.34m	4.59m
<b>A</b>	2.47m	2.47m	2.81m	2.81m	2.81m	3.06m	3.06m	3.29m	3.29m	3.49m	3.75m

