



**INSTRUCTION MANUAL AND
SAFETY MEASURES**
TIPPING TRAILERS



CONTENTS


- 1. Introduction..... 3
- 2. CE Declaration 4
- 3. Warranty..... 5
- 4. General information 6
- 5. Safety measures 7
- 6. Technical information..... 8
- 7. Using the Zocon tipping trailer 9
- 8. Maintenance..... 11
- 9. Technical diagrams 12

1. Introduction

Read this instruction manual to ensure the machine is used correctly and safely. Also ensure that people who use the machine read the instruction manual.

This instruction manual describes how to use the Zocon tipping trailer, which safety measures to take and how to service the tipping trailer.

The trailer's maximum load capacity must not be exceeded.

 NOTE	Not observing the following instructions may result in a dangerous situation and the manufacturer's warranty may become invalid.
---	---

Explanation of the warning symbols

- Read the instruction manual before using the machine.



- Risk of getting trapped.



2. CE Declaration

Zonderland Constructie B.V.
De Koevorde 6
8502 TZ JOURE
The Netherlands
Tel.: +31 (0)513 714334
Fax.:+31 (0)513 714332
<http://www.zocon.eu>

Zonderland Constructie B.V. declares that the machine:

Description of the machine	
Standard function:	TIPPING TRAILER
Type:	Z080
Serial number:	...

Declares that the machine is in accordance with Machinery Directive 2006/42/EC of the European Parliament and of the Council of 17 May 2006 amending Directive 95/16/EC (Official Journal of the EU, L 157/24 of 9/6/2006).

The person responsible for compiling the technical information is the head of the Research and Development department at Zonderland Constructie B.V.

This declaration only applies to the machine as sold in the market and does not concern components and/or treatments that are added at a later date.

3. Warranty

The manufacturer guarantees that the delivered machine meets the usual requirements and standards applicable to the machine and that the machine is free of faults. This warranty is valid for a period of twelve months after delivery. The warranty only concerns the components to be replaced.

This warranty is not valid if a fault occurs as a result of improper use.

Repairs may only be performed after approval from the manufacturer. Repairs that are performed before approval has been given by the manufacturer are at the owner's own expense and no claim can be made against the manufacturer for such repairs.

4. General information

General information concerning the Zocon tipping trailer is given below.

4.1 USE

The Zocon tipping trailer is only intended for loading and transporting agricultural crops, such as potatoes, (sugar) beet, grain, hay, etc., and other materials, such as sand, manure, fertilizer, coal, gravel, etc.

It is important to make sure the load capacity is not exceeded.

4.2 EXPLANATION OF THE TYPE PLATE

The tipping trailer's type plate is located in the middle of the front of the tipping trailer below the Zocon logo.

The tipping trailer's type number begins with a "Z" and is followed by a number. This number multiplied by 100 is the tipping trailer's load capacity.

Example

Type: **Z080** **Load capacity= 8000 kg (80x100)**

4.3 OPTIONAL EXTRAS

Zocon tipping trailers are available with the following optional extras:

- Extension boards

An extra set of 400 mm high boards, which can be used in addition to the standard boards.

- Tipping on three sides

Instead of tipping on one side, the tipping trailer can be delivered with the extra option of tipping on three sides. This includes hydraulic locking and unlocking of the side boards.

- Single axle

Optionally, the 8-tonne tipping trailer can be delivered as a single-axle trailer.

- Overrun brake or pneumatic brake

Choice of an overrun brake or a pneumatic brake.

5. Safety measures

- Make sure the user has carefully read these instructions and safety measures before using the tipping trailer, and make sure they are observed.
- Check the following each time before use and, if necessary, rectify any faults:
 - Make sure the bolts (and wheel) nuts are correctly tightened.
 - Make sure the brake lights and rear lights are clean and work correctly.
 - Make sure the brakes work correctly (for braked trailers).
- When connecting the tipping trailer, make sure nobody is located between the tractor and the tipping trailer.
- It is not permitted to transport people on the tipping trailer's drawbar or in the trailer.
- The tipping trailer may only be loaded when it is connected to a tractor.
- Before using the machine, make sure nobody is in, underneath, behind, next to or on the machine. Otherwise, it might result in a dangerous situation.
- It is not permitted to drive the machine at a speed of more than 25 km/h.
- The way the tipping trailer is loaded and whether the load is evenly distributed across the load bed have a great influence on the tongue load applied to the tow bar.
- During transport, always make sure a sufficient force is applied to the front axles. If necessary, contact the tractor manufacturer for the minimum axle load and the maximum tongue load.
- It is not permitted to exceed the maximum load capacity.
- You must ensure that the tipping trailer cannot roll away when it is disconnected by blocking the wheels.
- When the load bed is tipped up, the tipping trailer must be connected to the tractor.
- It is not permitted to be underneath the load bed while it is tipped up.
- It is not permitted to drive while the load bed is tipped up.
- Only use the machine for the intended purpose.
- Operate the machine safely.
- Make sure the warning symbols remain legible. Replace any missing or damaged symbols.
- Before using the machine, check the operation of the locking hooks.
- Before using the machine, check the hydraulic circuit for leaks.

6. Technical information

Technical information concerning the Zocon tipping trailer is given below.

6.1 TECHNICAL SPECIFICATIONS

Zocon Tipping Trailer	Z080
<i>Max. load capacity (tonne)</i>	8.0
<i>Requested tractor power (HP)</i>	60
<i>Max. speed (km/h)</i>	25
<i>Load bed dimensions (cm) (lxwxh)</i>	450x220x60
<i>Number of tipping sides</i>	1*
<i>Unladen weight (kg)</i>	2,300

**Optional tipping on three sides*

7. Using the Zocon tipping trailer

When using the Zocon tipping trailer, the information given in this chapter must be observed in order to ensure safe working conditions.

7.1 PREPARATION WORK

Always carefully check the Zocon tipping trailer for faults before connecting it. A number of important points of consideration are given below:

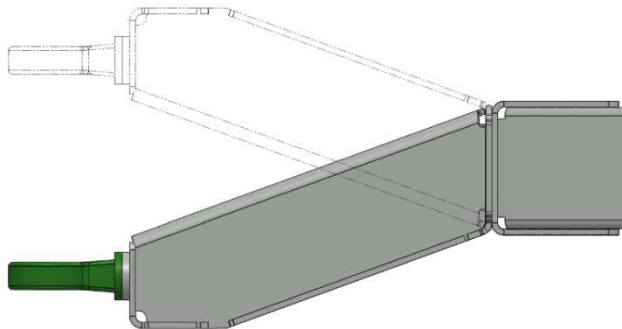
- On delivery, there is **no** oil in the hydraulic circuit!
- Check the nuts and bolts and if necessary, tighten them.
- Check whether all the assembly pins are securely locked.
- Check whether the gate's catch hooks work correctly.
- Check the hydraulic circuit for leaks and other faults.
- Check the construction for faults.
- Check the tyres for correct pressure.

The tipping trailer may only be connected if you are sure it has no faults.

7.2 CONNECTING TO A TRACTOR

Carry out the following to connect the Zocon tipping trailer to a tractor:

- Set the drawbar to the correct height (see the diagram below).
- Drive the tractor so that it is just in front of the tipping trailer.
- Make sure the hydraulic valves to be used are not pressurized.
- Turn off the tractor and remove the key from the ignition.
- Connect the tipping trailer to the tractor and make sure the coupling is secure.
- Rotate the handle to raise the jockey wheel and then fold the wheel upwards to create sufficient ground clearance.
- Connect the hydraulic hoses to the tractor.
- Connect the lighting and check whether the lights work correctly.



7.3 USING THE TIPPING TRAILER

Observe the following when using the Zocon tipping trailer.

- Make sure the load is evenly spread across the load bed.
- For a small load, it is recommended to place the load at the front of the load bed. This will ensure a safe tongue load.
- Do not stand within the operating range of the tipping trailer when unloading.
- The tipping trailer's rear gate is unlocked automatically when tipping.
- To prevent the tipping trailer from tipping over, it must rest on a level surface before the load bed is tipped up.
- Make sure the side boards are locked correctly before driving on a public road.
- Make sure the rear gate is locked correctly before driving on a public road.

Maximum permitted speed during transport:

- On tarmacked roads : 25 km/h
- On other hard road surfaces : 20 km/h
- On country/sand tracks : 15 km/h

8. Maintenance

8.1 CHECKLIST

The following maintenance work must be performed each time after use:

- Check the tyre pressure.
 - Check all the bolted connections and the wheel nuts and if necessary, tighten them.
 - Make sure the lights work correctly and are clearly visible.
 - Make sure the brakes work correctly (if the tipping trailer has brakes).
 - Make sure the automatic rear gate lock works correctly.
- The clamping force of the catch hooks can be altered by adjusting the spring tension.

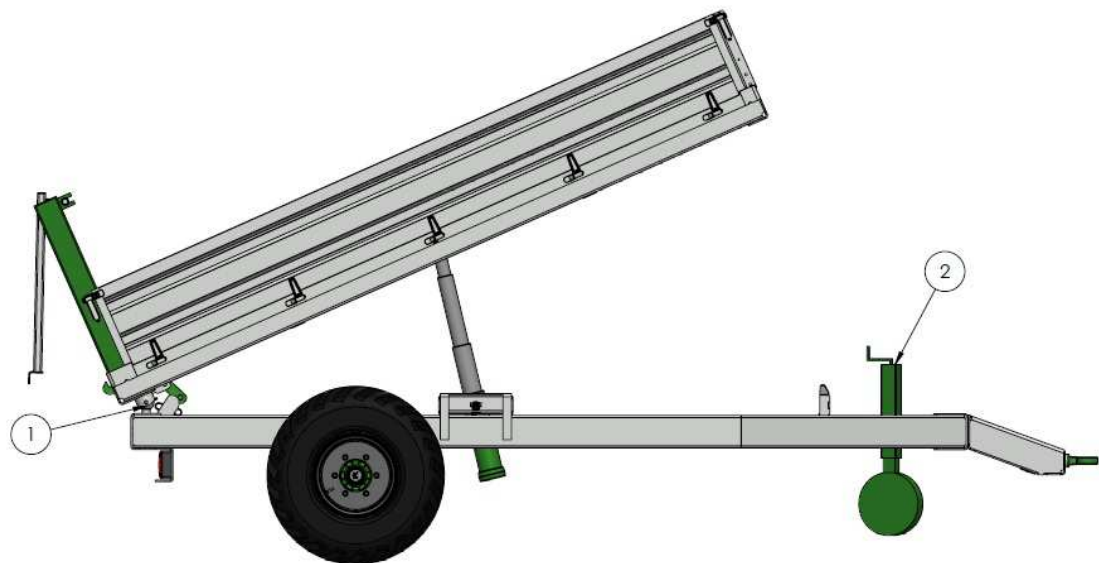
Mind your own safety when performing maintenance and/or repairs. Make sure:

- The tractor is turned off (if the tipping trailer has been connected to a tractor).
- The tractor's handbrake has been applied (if the tipping trailer has been connected to a tractor).
- The tipping trailer is stable (if the tipping trailer has not been connected to a tractor).

8.2 LUBRICATION SCHEDULE

No.	Lubrication point	Lubricant	Description	Lubrication frequency
1	Tipping hinge	Grease (EP2)	Lubricate the ball joint with grease when the trailer is tipped up.	After every 8 operating hours
2	Jockey wheel	Grease (EP2)	Lubricate the grease nipple.	After every 20 uses or twice a year.*

* Depending on which condition is met first.



9. Technical diagrams

9.1 LAYOUT DRAWING

A dimensional diagram of the Zocon tipping trailer is given below.

